

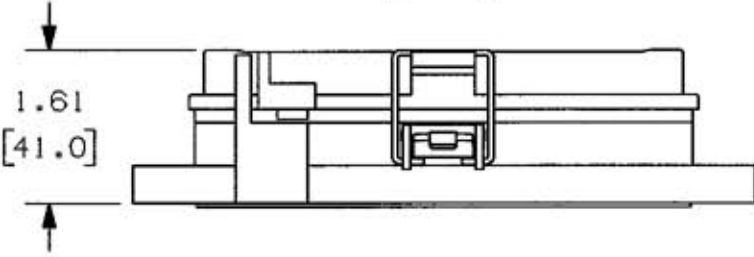
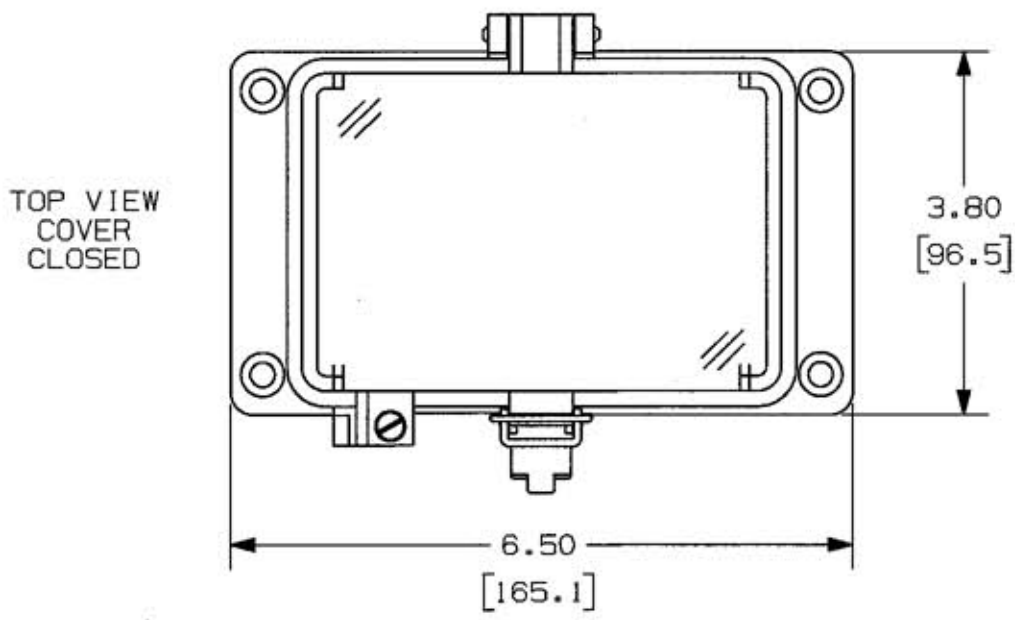
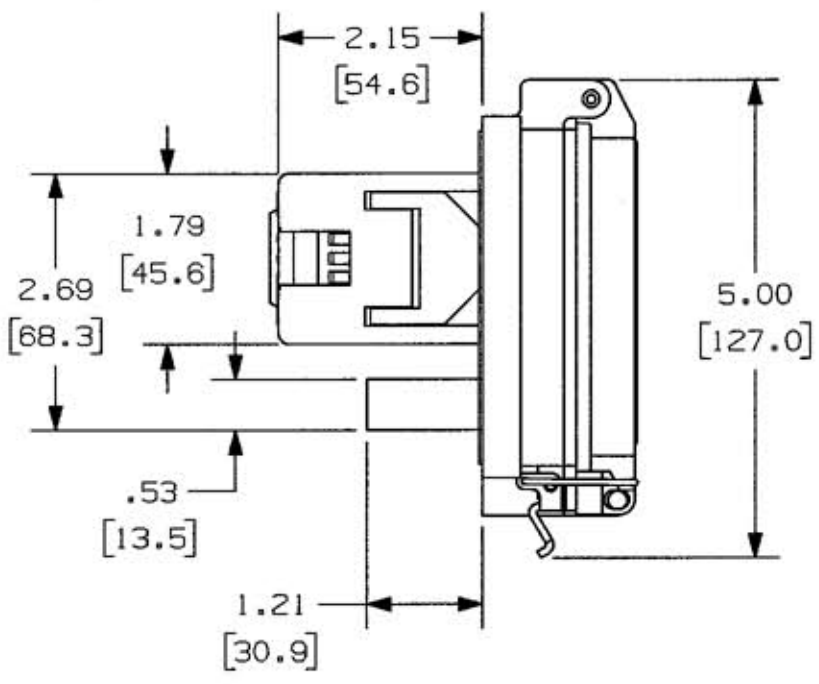
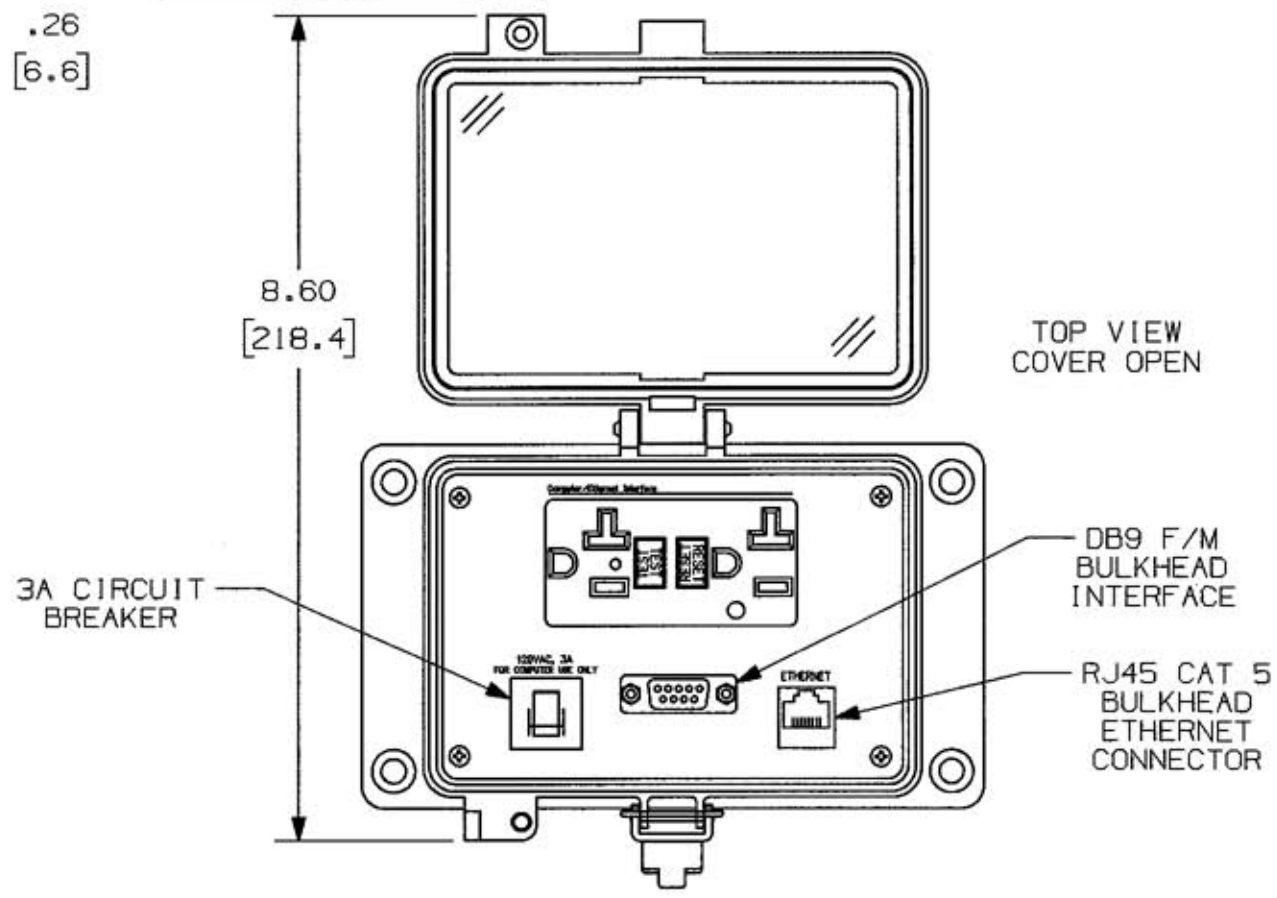
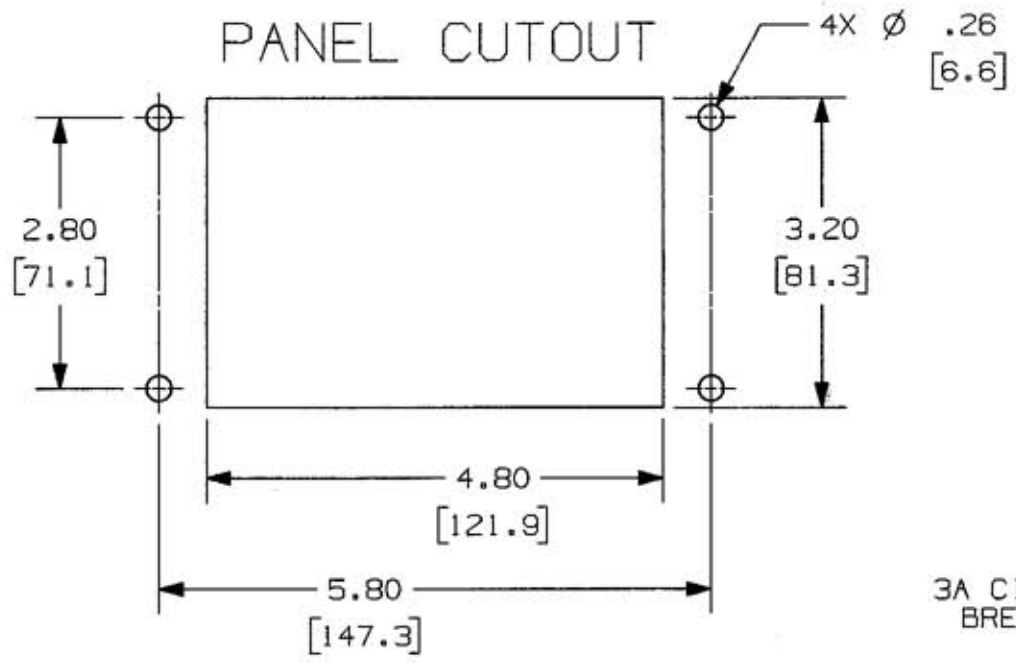
M-10876

1

LIST OF PARTS

DESCRIPTION	MATERIAL	FINISH

DIMENSION SHEET FOR CAT. NO. REPAIRABLE NON-REPAIRABLE B M-10876 1



NOTE:
 1. DIMENSIONS ARE NOMINAL VALUES AND SHOWN IN INCH [mm] UNITS. DIMENSIONS ARE FOR REFERENCE ONLY.

1	NEW RELEASE PER DCN 14558 RCM	JPP	1/24/08
SYM	REVISIONS	APP	DATE

THE DESIGN AND DIMENSIONS OF THE PRODUCT SHOWN ON THIS DRAWING ARE SUBJECT TO CHANGE WITHOUT NOTICE

TITLE
 PANEL-SAFE
 CAT 5E ETHERNET, DB9,
 20A GFCI, 3A CIRCUIT
 BREAKER. NEMA 4

TOLERANCES UNLESS OTHERWISE SPECIFIED	WIRING DEVICE-KELLEMS HUBBELL INCORPORATED BRIDGEPORT, CT			
FRACTIONS ± 1/64	DR. BY RCM	APP. BY JPP	SCALE 1:2	
DECIMALS ± .005	TR. BY	CHK'D BY JPP DATE 1/24/08		
ANGLES ± 2'				

CATALOG NO.	ENCLOSURE	DESCRIPTION
PR205EDB9B	NEMA 4	CAT 5E, 20A GFCI, 3A CIRCUIT BREAKER, DB9